

Distributors and distributor strips



AVENTICS™ Distributors and distributor strips



Distribution block

- Distributor 2x

- M5 G 1/8 G 1/4 G 3/8 G 1/2



Working pressure min./max.

0 ... 16 bar

Ambient temperature min./max.

-10 ... 70 °C

Weight

See table below

Technical data

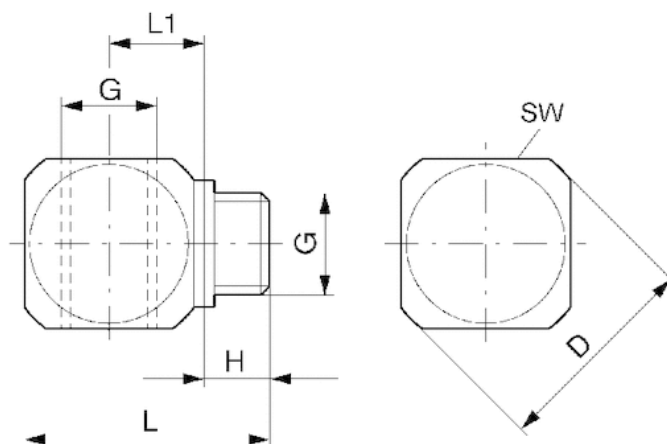
Part No.	Port G	Delivery unit	Weight
1823391096	M5	10 piece	0.006 kg
1823391097	G 1/8	10 piece	0.01 kg
1823391098	G 1/4	10 piece	0.018 kg
1823391099	G 3/8	5 piece	0.032 kg
1823391383	G 1/2	2 piece	0.075 kg

Technical information

Material	
Material	Brass galvanized Aluminum anodized
Seal	Polyvinyl chloride
Seal Surface	hard

Dimensions

Dimensions



Dimensions

Part No.	G	D	H	L	L1	SW
1823391096	M5	12.5	5	15	5.5	10
1823391097	G 1/8	20	7	24	9	15
1823391098	G 1/4	28.5	10	30	11	22
1823391099	G 3/8	35	10	33	12.5	27
1823391383	G 1/2	46	12	41.5	16	36

Elbow distributor

- Distributor 2x

- M5 G 1/8 G 1/4 G 3/8 G 1/2



Working pressure min./max.

0 ... 16 bar

Ambient temperature min./max.

-10 ... 70 °C

Weight

See table below

Technical data

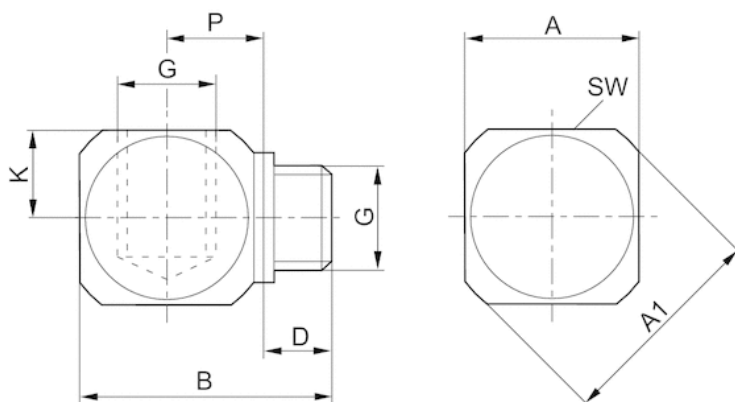
Part No.	Port G	Delivery unit	Weight
1823391092	M5	10 piece	0.007 kg
1823391093	G 1/8	10 piece	0.01 kg
1823391094	G 1/4	10 piece	0.02 kg
1823391095	G 3/8	5 piece	0.034 kg
1823391384	G 1/2	2 piece	0.08 kg

Technical information

Material	
Material	Brass galvanized Aluminum anodized
Seal	Polyvinyl chloride
Seal Surface	hard

Dimensions

Dimensions



Dimensions

Part No.	G	A	A1	B	D	K	P	SW
1823391092	M5	10	12.5	15	5	7	4.5	10
1823391093	G 1/8	15	20	24	7	11	8	15
1823391094	G 1/4	22	28.5	30	10	16	10	22
1823391095	G 3/8	27	35	33	10	21	11.5	27
1823391384	G 1/2	36	46	41.5	12	30	15	36

T-swivel distributor

- Distributor 2x

- G 1/8 G 1/4 G 3/8 G 1/2



Working pressure min./max.

0 ... 16 bar

Ambient temperature min./max.

-10 ... 70 °C

Weight

See table below

Technical data

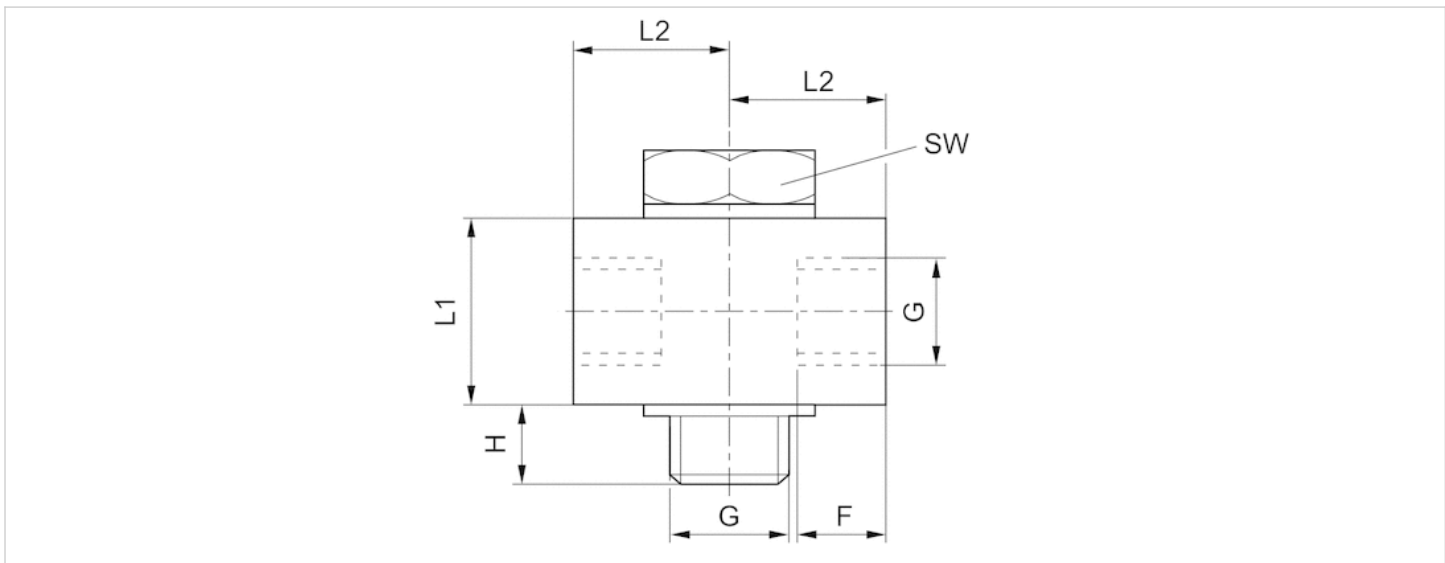
Part No.	Port G	Delivery unit	Weight
1823391049	G 1/8	5 piece	0.02 kg
1823391050	G 1/4	5 piece	0.025 kg
1823391481	G 3/8	2 piece	0.044 kg
1823391482	G 1/2	2 piece	0.086 kg

Technical information

Material	
Material	Aluminum anodized
Seal	Polyvinyl chloride
Seal Surface	hard
Banjo bolt	Brass

Dimensions

Dimensions



Dimensions

Part No.	G	F	H	L1	SW
1823391049	G 1/8	9,5	14	15	14
1823391050	G 1/4	13	19.5	20	17
1823391481	G 3/8	10	26	24	22
1823391482	G 1/2	12	31.5	30	27

Elbow swivel distributor

- Distributor 2x

- G 1/8 G 1/4 G 3/8 G 1/2



Working pressure min./max.

0 ... 16 bar

Ambient temperature min./max.

-10 ... 70 °C

Weight

See table below

Technical data

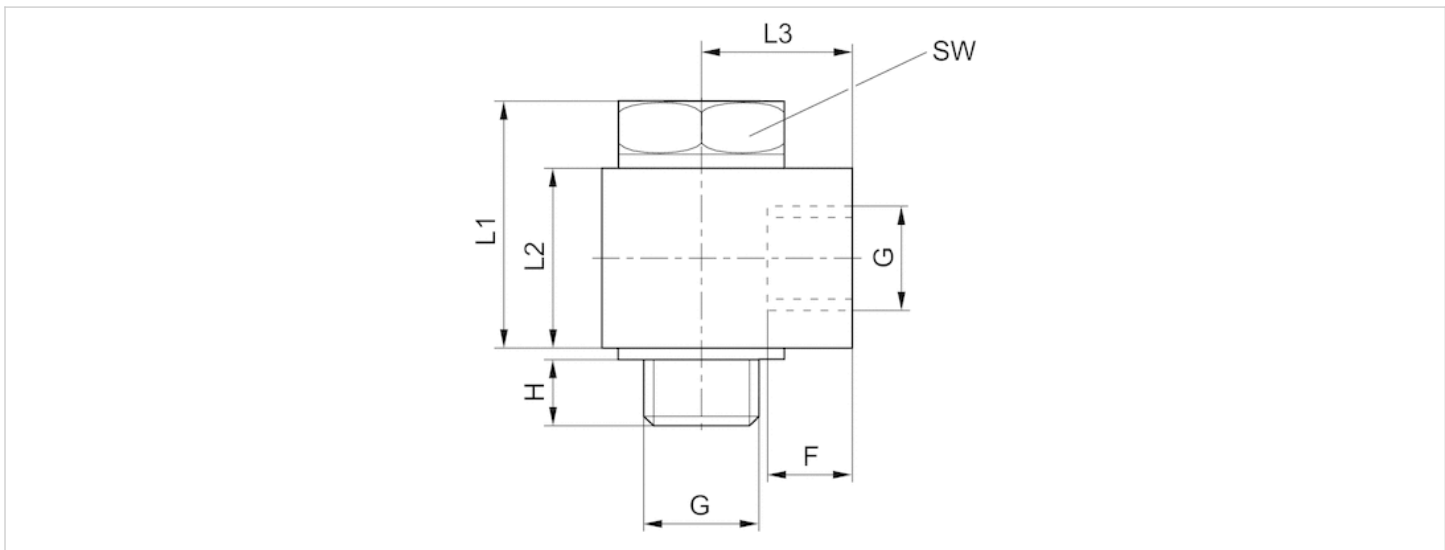
Part No.	Port G	Delivery unit	Weight
1823391047	G 1/8	10 piece	0.015 kg
1823391048	G 1/4	5 piece	0.02 kg
1823391479	G 3/8	2 piece	0.04 kg
1823391480	G 1/2	2 piece	0.075 kg

Technical information

Material	
Material	Aluminum anodized
Seal	Polyvinyl chloride
Seal Surface	hard
Banjo bolt	Brass

Dimensions

Dimensions



Dimensions

Part No.	G	F	H	L1	L2	L3	SW
1823391047	G 1/8	9.5	7.8	20.2	15	14	14
1823391048	G 1/4	13	10	26.8	20	19.5	17
1823391479	G 3/8	10	6.85	29.2	22	23	22
1823391480	G 1/2	12	8.85	35.7	28	27.5	27

Multiple connector

- Distributor 3x

- G 1/8 G 1/4 G 3/8 G 1/2



Working pressure min./max.

0 ... 16 bar

Ambient temperature min./max.

-20 ... 80 °C

Technical data

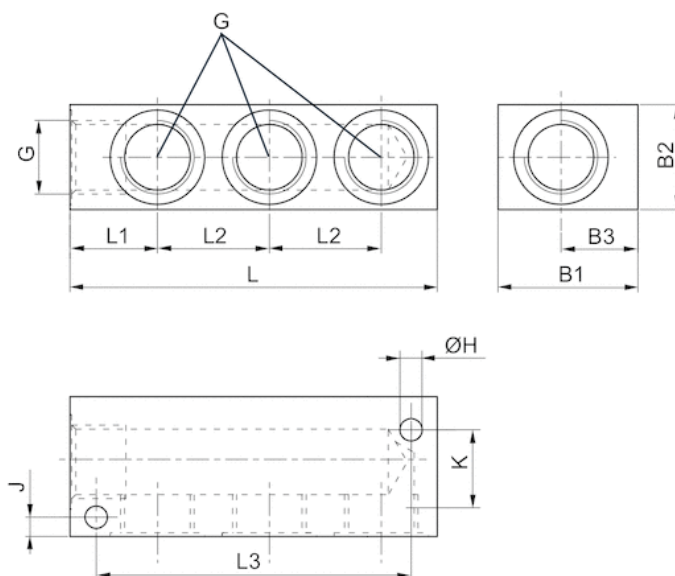
Part No.	Port G
R412010004	G 1/8
R412010003	G 1/4
R412010005	G 3/8
R412010002	G 1/2

Technical information

Material	
Material	Aluminum anodized

Dimensions

Dimensions



Dimensions

Part No.	G	B1	B2	B3	ØH	J	K	L	L1	L2	L3
R412010004	G1/8	20	20	12	4.4	3.5	13	56	13.5	17	46
R412010003	G1/4	30	30	17	6.4	6.5	17	89	20	29	74
R412010005	G3/8	40	30	19	6.4	5.5	20	85	20	26	72
R412010002	G1/2	40	30	22	6.4	5.5	25	105	25	32	90

Cross connection

- Distributor 4x

- M5 G 1/8 G 1/4 G 3/8 G 1/2



Working pressure min./max.

0 ... 16 bar

Ambient temperature min./max.

-20 ... 80 °C

Weight

See table below

Technical data

Part No.	Port G	Delivery unit	Weight
1823390040	M5	2 piece	0.008 kg
1823390041	G 1/8	2 piece	0.031 kg
1823390042	G 1/4	2 piece	0.047 kg
1823390043	G 3/8	1 piece	0.078 kg
1823390044	G 1/2	1 piece	0.12 kg

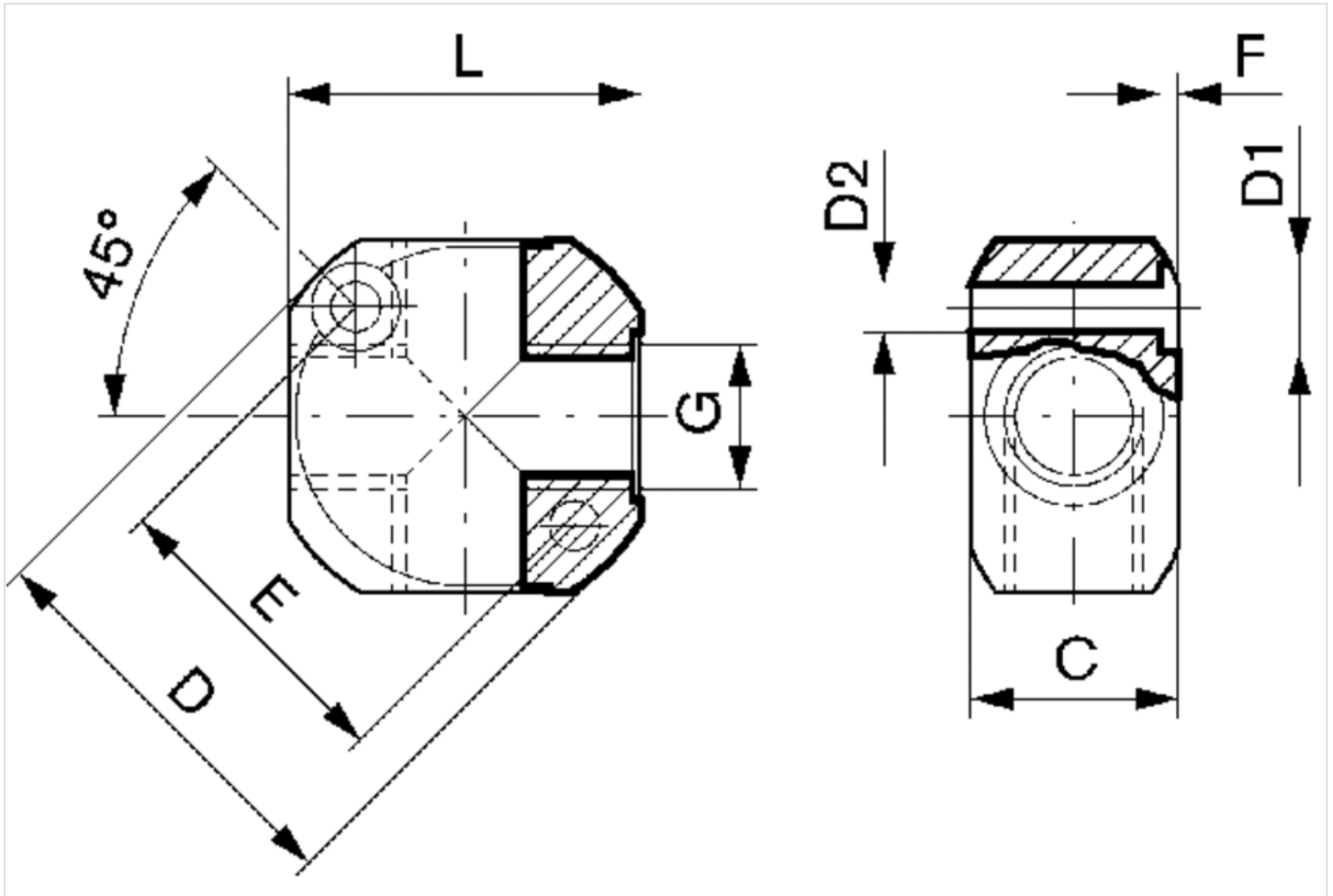
Technical information

Material

Material	Brass galvanized Aluminum anodized
----------	------------------------------------

Dimensions

Dimensions



Dimensions

Part No.	G	C	D	D1	D2	E	F	L
1823390040	M5	10	25	7.4	4.3	17	1.5	22
1823390041	G 1/8	18	36	7.4	4.3	28	1.5	30
1823390042	G 1/4	21	43	7.4	4.3	33	1.5	36
1823390043	G 3/8	25	50	9.4	5.3	39	2	40
1823390044	G 1/2	30	60	10.4	6.4	48	2.5	50

Multiple connector

1823390045

Distributors and distributor strips



Technical data

Industry
Industrial

Port G
G 1/8

Port R
M5

Working pressure min.
0 bar

Working pressure max
16 bar

Min. ambient temperature
-20 °C

Max. ambient temperature
80 °C

Delivery unit
1 piece

Weight
0.046 kg

Material

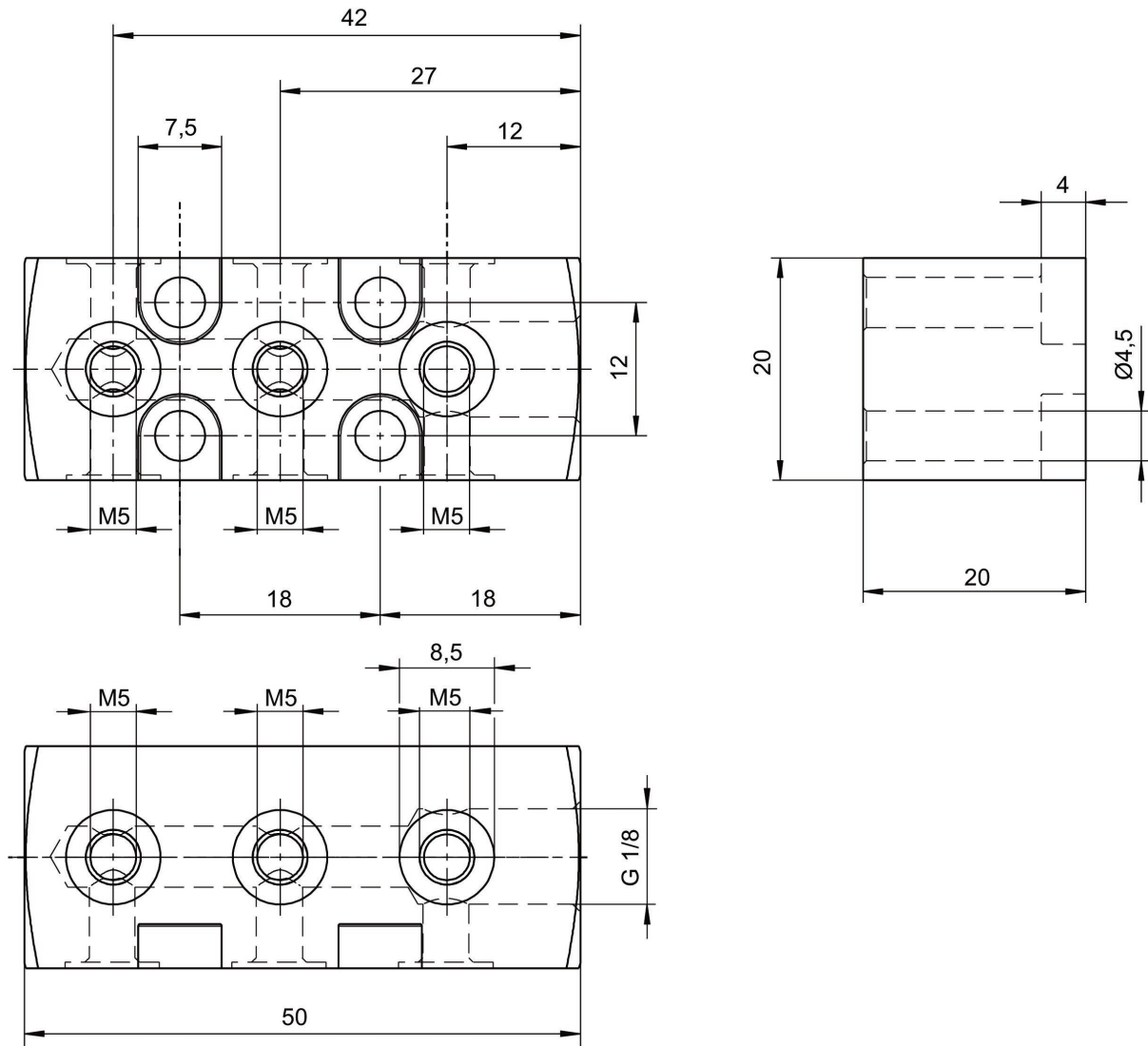
Housing material
Aluminum

Surface housing
anodized

Part No.
1823390045

Technical information

Dimensions in mm



Multiple connector

1823390046

Distributors and distributor strips



Technical data

Industry
Industrial

Port G
G 3/8

Port R
G 1/8

Working pressure min.
0 bar

Working pressure max
16 bar

Min. ambient temperature
-20 °C

Max. ambient temperature
80 °C

Delivery unit
1 piece

Weight
0.15 kg

Material

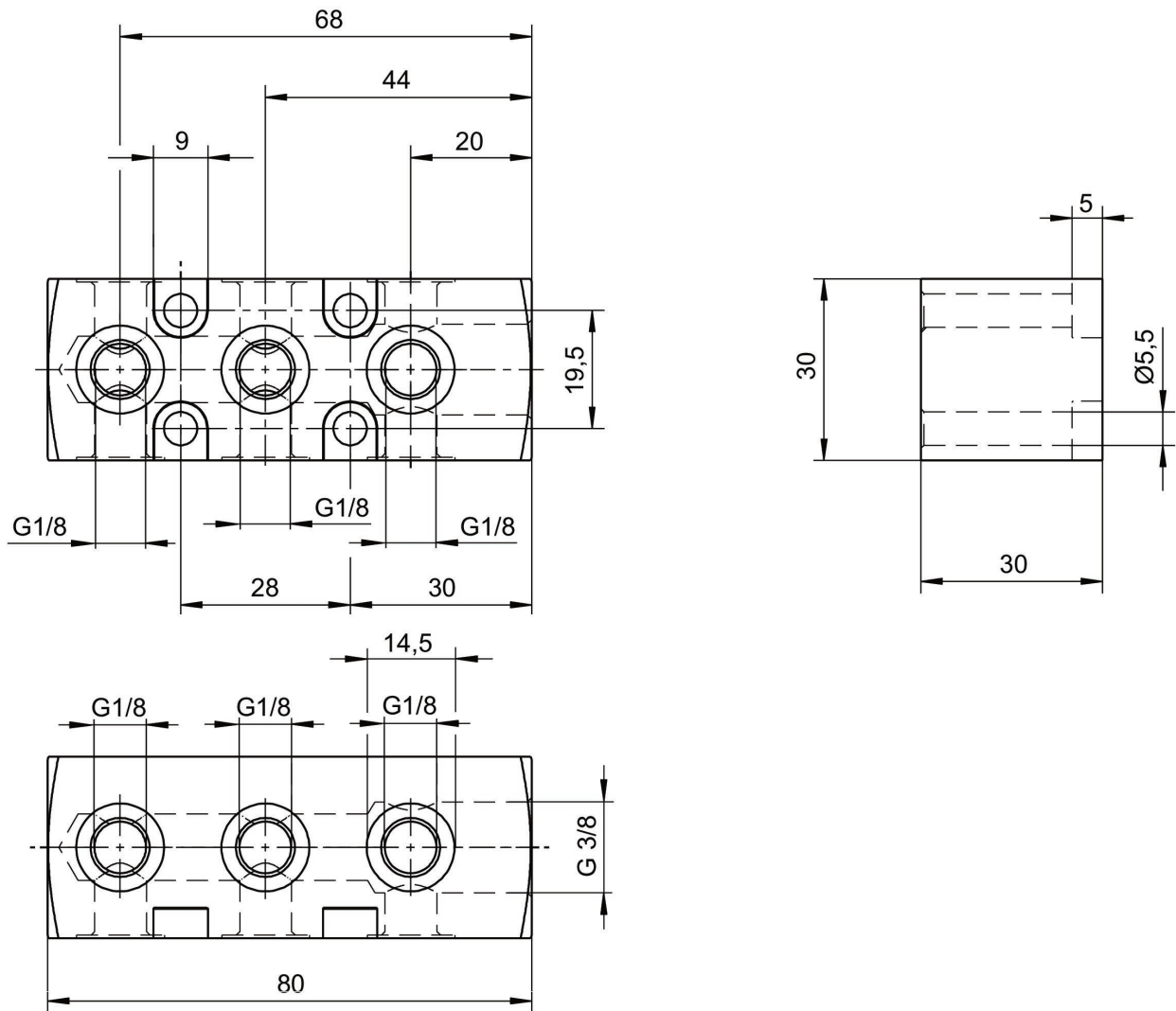
Housing material
Aluminum

Surface housing
anodized

Part No.
1823390046

Technical information

Dimensions in mm



Multiple connector

1823390047

Distributors and distributor strips



Technical data

Industry
Industrial

Port G
G 1/2

Port R
G 1/4

Working pressure min.
0 bar

Working pressure max
16 bar

Min. ambient temperature
-20 °C

Max. ambient temperature
80 °C

Delivery unit
1 piece

Weight
0.265 kg

Material

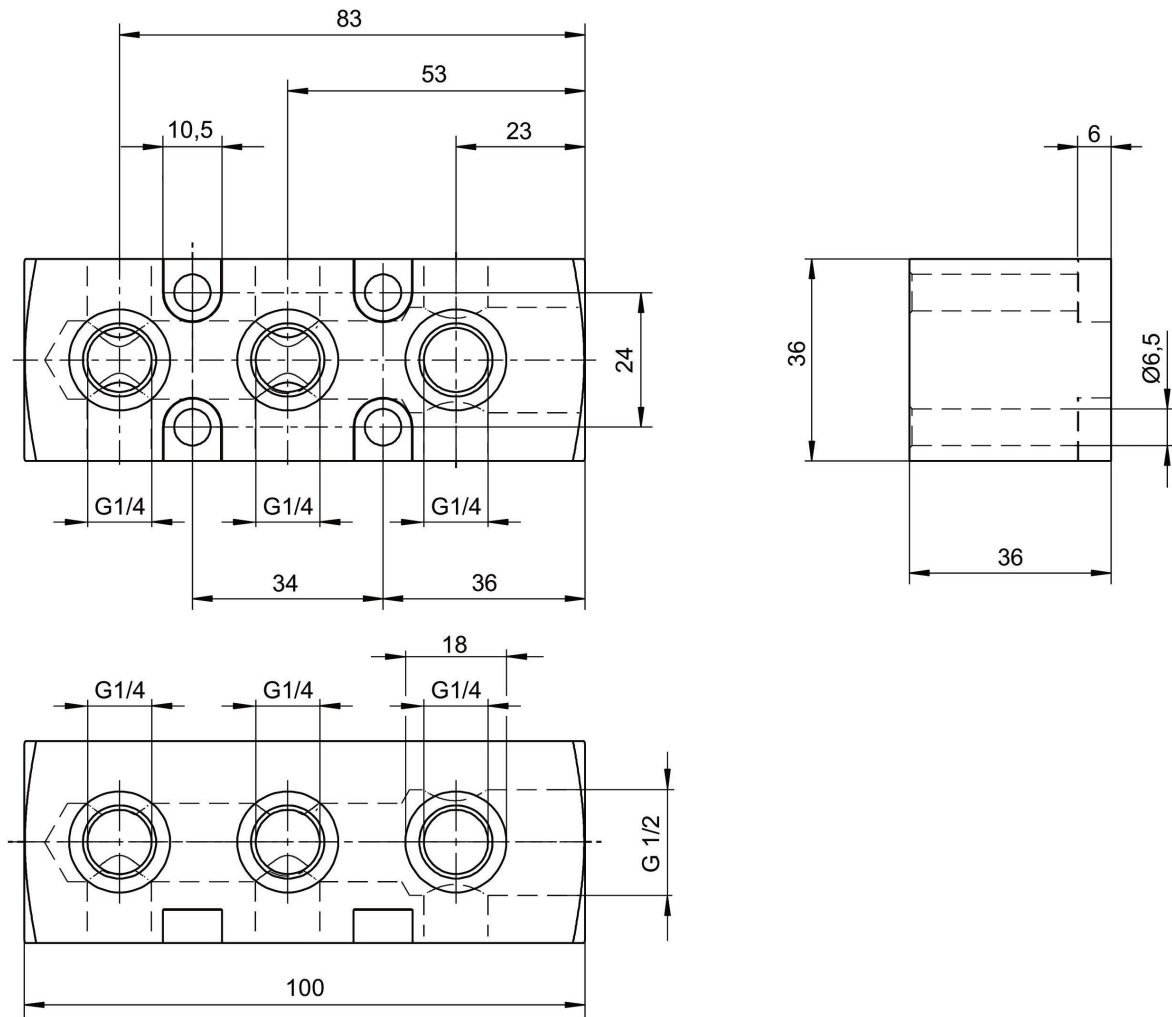
Housing material
Aluminum

Surface housing
anodized

Part No.
1823390047

Technical information

Dimensions in mm



Multiple connector

- Distributor 6x

- G 3/8 G 3/4



Working pressure min./max.

0 ... 16 bar

Ambient temperature min./max.

-20 ... 80 °C

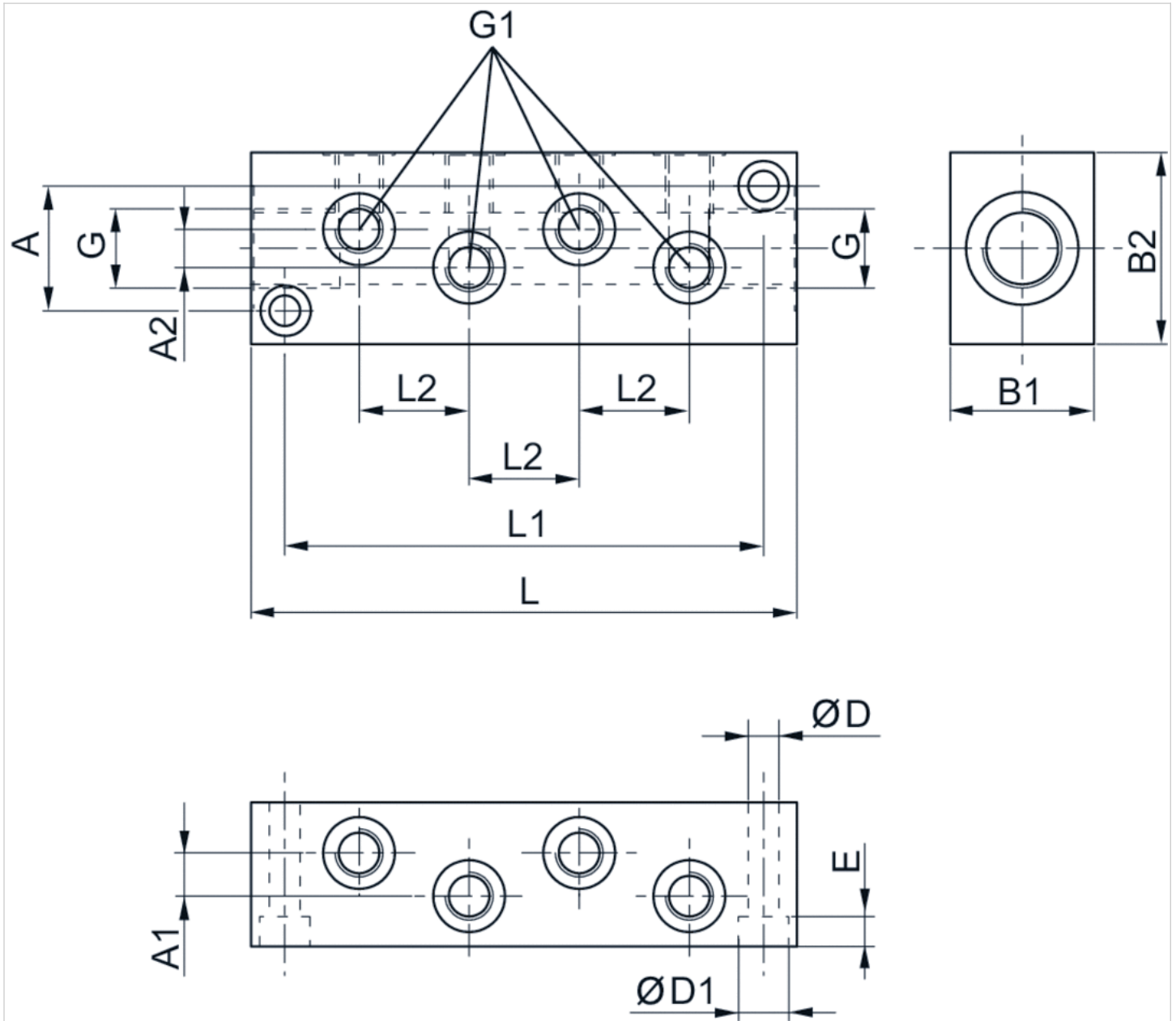
Technical data

Part No.	Port G
R412010007	G 3/8
R412010006	G 3/4

Technical information

Material	
Material	Aluminum anodized

Dimensions



Dimensions

Part No.	G	G1	A	A1	A2	B1	B2	ØD	ØD1	E	L	L1	L2
R412010007	G3/8	G1/8	26	8	8	30	40	6.5	10.5	6.2	114	100	23
R412010006	G3/4	G1/2	40	6	6	45	60	8.5	15	6.2	170	150	36

Efficient pneumatic solutions, our program: cylinders and drives, valves and valve systems, air supply management



Visit us: Emerson.com/Aventics

Your local contact: Emerson.com/contactus



Emerson.com



[Facebook.com/EmersonAutomationSolutions](https://www.facebook.com/EmersonAutomationSolutions)



[LinkedIn.com/company/Emerson-Automation-Solutions](https://www.linkedin.com/company/Emerson-Automation-Solutions)



[Twitter.com/EMR_Automation](https://twitter.com/EMR_Automation)

An example configuration is depicted on the title page. The delivered product may thus vary from that in the illustration. Subject to change. This Document, as well as the data, specifications and other information set forth in it, are the exclusive property of AVENTICS GmbH. It may not be reproduced or given to third parties without its consent. Only use the AVENTICS products shown in industrial applications. Read the product documentation completely and carefully before using the product. Observe the applicable regulations and laws of the respective country. When integrating the product into applications, note the system manufacturer's specifications for safe use of the product. The data specified only serve to describe the product. No statements concerning a certain condition or suitability for a certain application can be derived from our information. The information given does not release the user from the obligation of own judgment and verification. It must be remembered that the products are subject to a natural process of wear and aging.

The Emerson logo is a trademark and service mark of Emerson Electric Co. Brand logotype are registered trademarks of one of the Emerson family of companies. All other marks are the property of their respective owners. © 2017 Emerson Electric Co. All rights reserved.
2019-03



CONSIDER IT SOLVED™